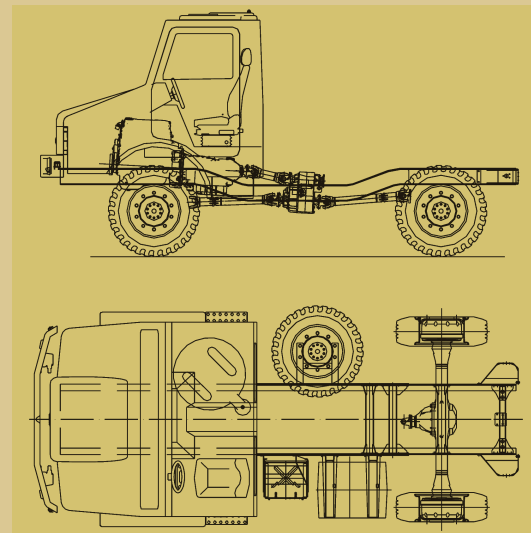


# BMC 185-09 B (4x4) 2.5 Ton Tactical Wheeled Vehicle



<b>CABIN</b>	1 adjustable driver seat and 2 personnel seats, steel cabin with heater and windshield defroster, water type additional cabin heater
--------------	--

<b>WEIGHTS</b>	
Gross Vehicle Weight	9.500 kg
Payload	3.500 kg (including superstructure)

<b>ENGINE</b>	
Make/Model	CUMMINS 4ISBe 185
Type	Turbo diesel, intercooler
Number of Cylinders	4
Total Displacement	4.5 lt
Power	185 PS (136 kW) @ 2500 rpm
Maximum Torque	650 Nm @ 1700 rpm
Cooling System	Water cooled
Other	Operation with F34 fuel

<b>TRANSMISSION</b>	Automatic or manual
---------------------	---------------------

<b>TRANSFER CASE</b>	(4x4) or (4x2) driven, low/ high speed control
----------------------	--

<b>AXLES</b>	Portal type. Differential locks both in the front and rear
--------------	--

<b>SUSPENSION</b>	Front and rear helical springs, telescopic shock absorbers; anti-roll bars in the front and rear
-------------------	--

<b>STEERING</b>	Hydraulic assisted
-----------------	--------------------

<b>CHASSIS</b>	High strength, flexible U-cross section profile with U-cross section reinforcement
----------------	--

<b>TYRES/RIMS</b>	335/80 R 20 tyres on 11x20" rims; suitable for on/off road use
-------------------	--

<b>ELECTRICAL SYSTEM</b>	Cables durable against wear, tearing and fire
Voltage	24 V
Batteries	2x12V

<b>TACTICAL SPECIFICATIONS</b>	
Water Fording	80 cm
Ground Clearance	42 cm
Gradeability	70%
Maximum Speed	100 km/h
Cruising Range	800 km
Approach Angle	42°
Departure Angle	52°
Gun mounts inside the cabin	
Cold start aid	
Blackout and camouflage lighting	
NATO standard towing hook	
Electrical and air connectors for towing and being towed	
Transportability on railway	
Roof hatch	

- OPTIONS**
- PTO (Power Take Off)
  - Self-recovery winch
  - ABS
  - Central Tyre Inflation System (CTIS)
  - Run-flat (Tyres)
  - Air Conditioner
  - Various superstructures on demand

- CERTIFICATES**
- ISO 9001: 2000 Quality Management System Certificate
  - AQAP 2110 Industrial Quality Assurance Level Certificate